

# قرارات

## وزارة الكهرباء والطاقة المتجددة

قرار وزارى رقم ٧ لسنة ٢٠١٨

صادر بتاريخ ٢٠١٨/١/٩

### وزير الكهرباء والطاقة المتجددة

بعد الاطلاع على قانون الكهرباء الصادر بالقرار بقانون رقم ٨٧ لسنة ٢٠١٥

ولاتحته التنفيذية ؛

وعلى النظام الأساسى للشركة المصرية لنقل الكهرباء ؛

وعلى مذكرة رئيس مجلس إدارة الشركة المصرية لنقل الكهرباء بتاريخ ٢٠١٨/١/٣ ؛

### قرر:

**مادة ١ -** يتم تنفيذ وإقامة وشد الموصلات للبرجين رقمى (١ ، ٢) لعملية إنشاء

الخط الكهربائى (طما ٢٢٠ / طما ٣٣) جهد ٦٦ كيلو فولت (دخول / خروج)

على محطة محولات طهطا جهد ٦٦ كيلو فولت بمحافظة سوهاج بالقوة الجبرية وذلك بعد رفض

اللجنة المشكلة من جهاز تنظيم مرفق الكهرباء وحماية المستهلك الاعتراضات المقدمة

من الملاك على تنفيذ الخط وذلك على الأرض التى يمر بها هذا الخط طبقاً للمسار الموضح

بالخريطة المساحية وكشف بأسماء الملاك الظاهرين والرسومات الهندسية المرفقة

ويكون تنفيذ الأعمال على النحو التالى :

م	رقم البرج	طراز البرج	أبعاد الحفر بالمتر لكل رجل	عدد الأرجل
١	١	AT90 / E8	٣,٨ × ٦,١ × ٦,١	٤
٢	٢	SDRI	٢,٧٥٠ × ٥,٦١٩ × ٥,٦١٩	٤

أعمال حفر للبرجين .

أعمال إحلال للتربة .

أعمال خرسانية عادية ومسلحة للبرجين .

أعمال عزل بالبيوتامين للبرجين .

تركيب الحديد العلوى للبرجين .

أعمال شد الموصلات وتركيب العازلات للبرجين .

**مادة ٢ -** ينشر هذا القرار وملحقاته في الوقائع المصرية ، وعلى جميع المختصين تنفيذه .

وزير الكهرباء والطاقة المتجددة

**دكتور/ محمد شاكر المرقبى**

كشف بأسماء المعارضين على تنفيذ واقامة الأبراج أرقام (٢، ١)  
 وشد الموصلات عليها لعملية فتح الدائرة الثانية  
 طما ٢٢٠ / طما ٣٣ جهد ٦٦ ك ف (د/خ)  
 على محطة محولات طهطا جهد ٦٦ ك ف .

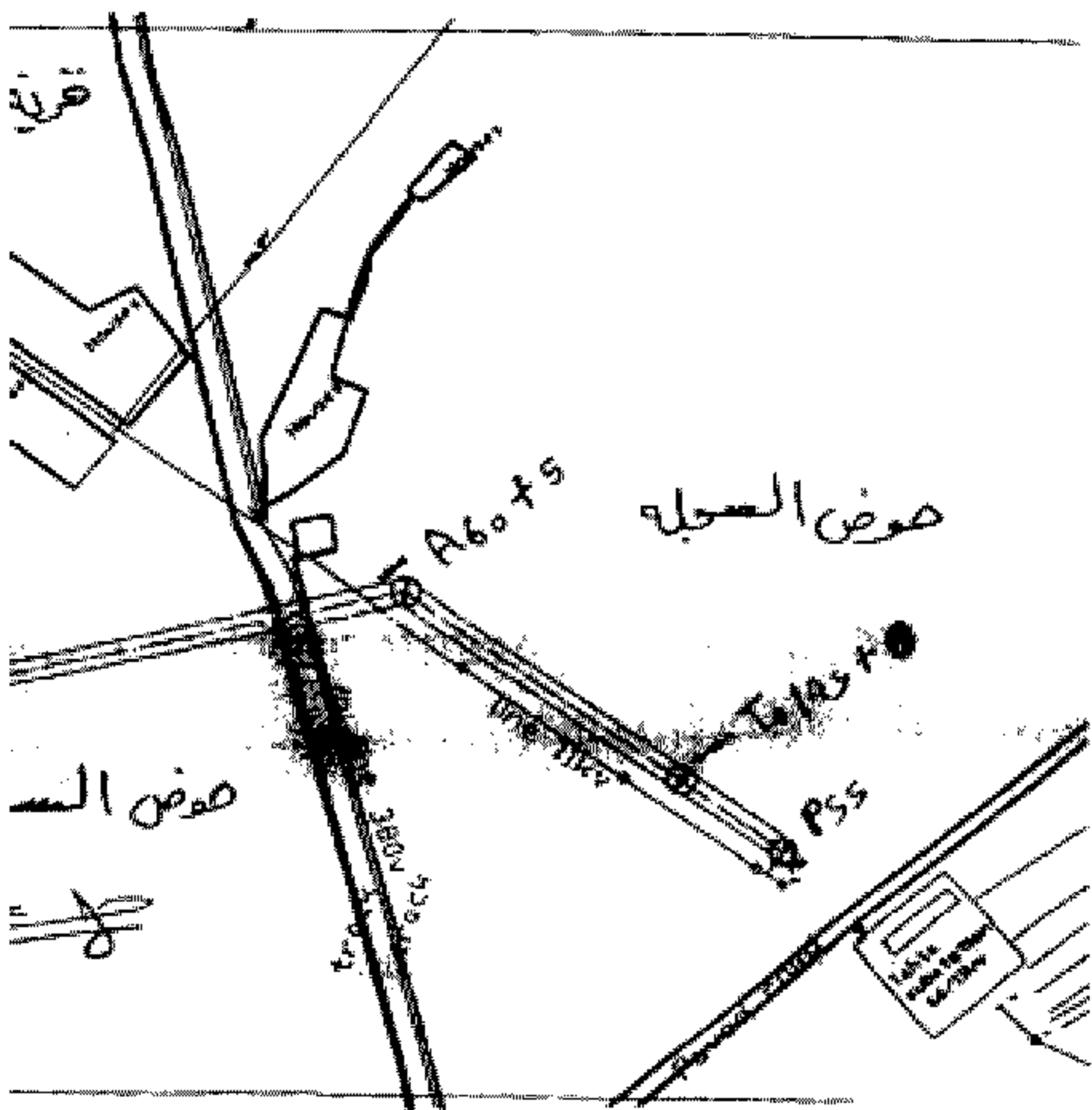
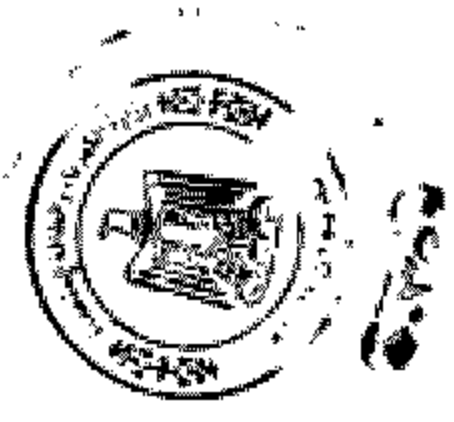
م	أسماء الملاك المعارضين	رقم البرج	طراز البرج	عنوان المعارضين
١	عبد اللطيف محمد بهادر	١	AT90 / E8	القببصات - مركز طهطا - سوهاج
٢	جسرجس مسيلاد عسرنديس	٢	SDRI	الساحل - مركز طهطا - سوهاج

02-JUN-2018 15:07  
21/03/2018 14:48 +292 22561919

٢٠١٨  
١٤٠٤  
٢٠١٨

097220816 P.01

#2131 P.002



صوفن الس

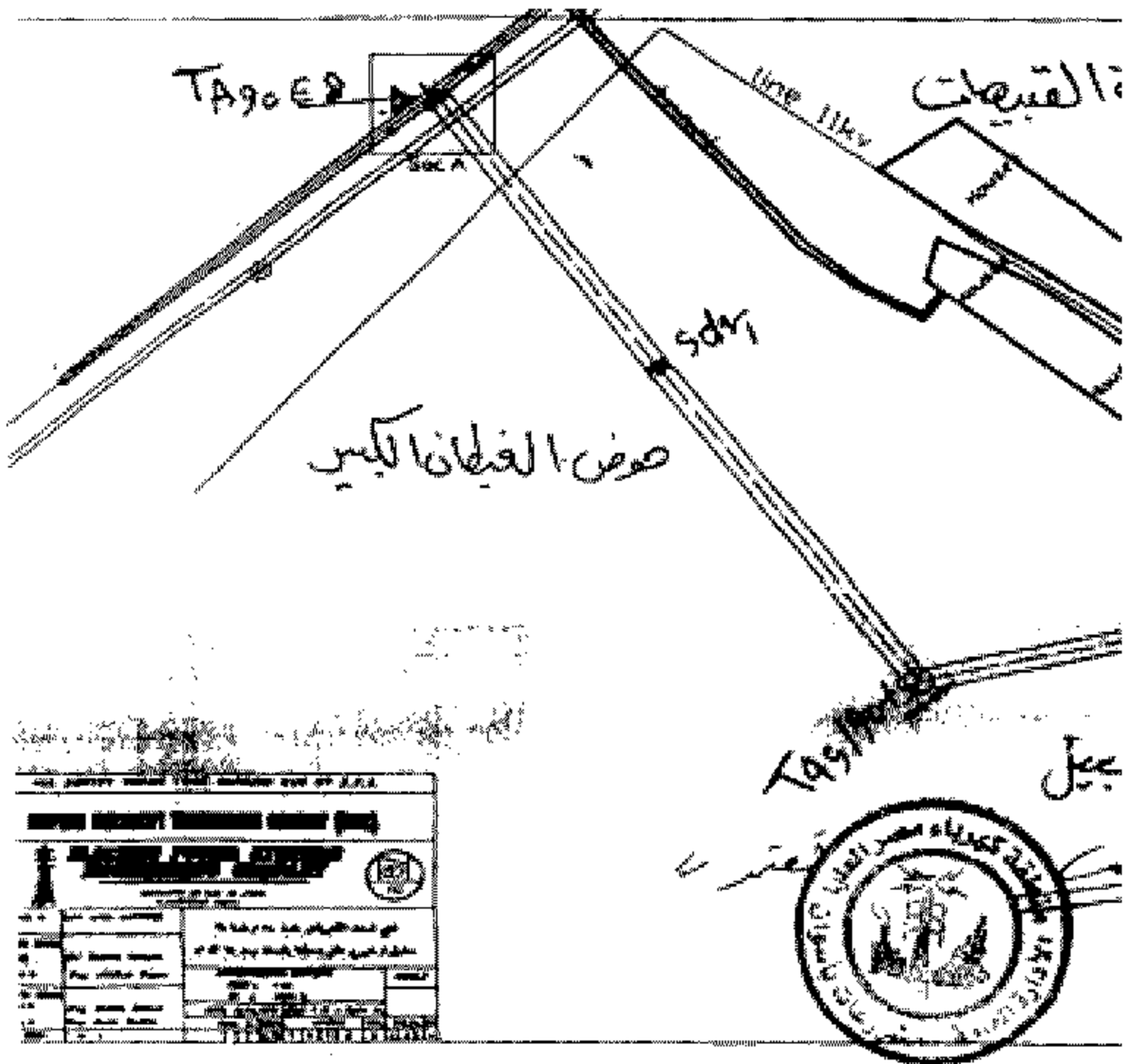
صوفن الصجلة

A604S

T12540

PSS

380N  
425  
1001

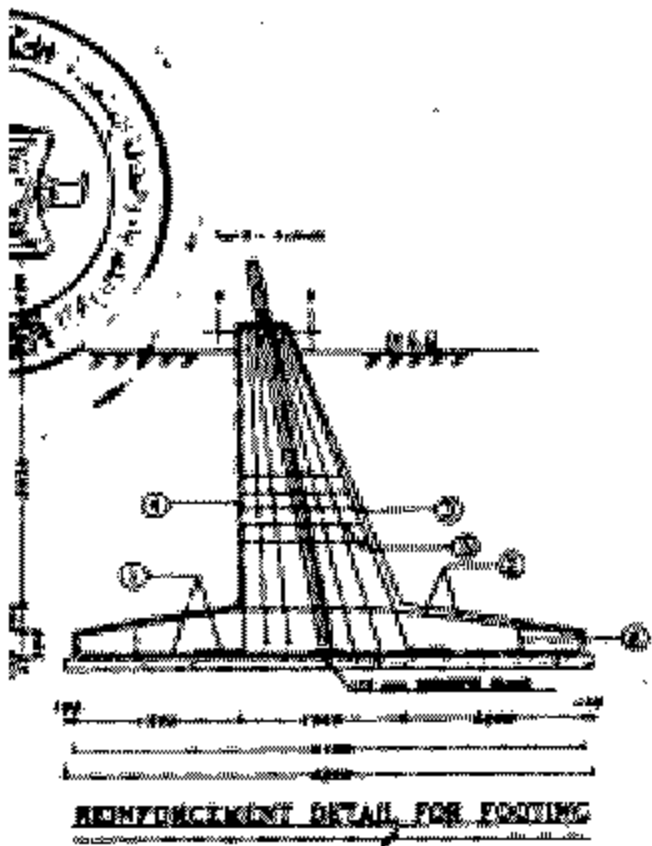




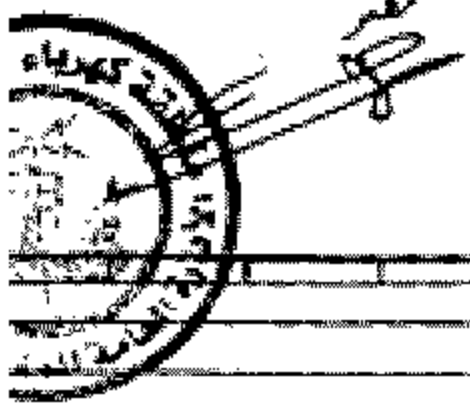
REVISION NO.	REVISION DESCRIPTION	DATE	BY	CHKD BY
1	ISSUED FOR CONSTRUCTION	2014	...	...
2	...	...	...	...

NO.	DESCRIPTION	DATE	BY	CHKD BY
1	...	...	...	...
2	...	...	...	...

- 1. Foundation and tower to be designed and constructed in accordance with the following:-
- 1.1. Design to be carried out in accordance with the provisions of the Egyptian Code of Practice for Reinforced Concrete Structures (E.C.P.S. 2004).
- 1.2. The design shall be carried out in accordance with the provisions of the Egyptian Code of Practice for Steel Structures (E.C.P.S. 2004).
- 1.3. The design shall be carried out in accordance with the provisions of the Egyptian Code of Practice for Masonry Structures (E.C.P.S. 2004).
- 1.4. The design shall be carried out in accordance with the provisions of the Egyptian Code of Practice for Foundations (E.C.P.S. 2004).
- 1.5. The design shall be carried out in accordance with the provisions of the Egyptian Code of Practice for Towers (E.C.P.S. 2004).
- 1.6. The design shall be carried out in accordance with the provisions of the Egyptian Code of Practice for Transmission Lines (E.C.P.S. 2004).
- 1.7. The design shall be carried out in accordance with the provisions of the Egyptian Code of Practice for Power Plants (E.C.P.S. 2004).
- 1.8. The design shall be carried out in accordance with the provisions of the Egyptian Code of Practice for Industrial Buildings (E.C.P.S. 2004).
- 1.9. The design shall be carried out in accordance with the provisions of the Egyptian Code of Practice for Residential Buildings (E.C.P.S. 2004).
- 1.10. The design shall be carried out in accordance with the provisions of the Egyptian Code of Practice for Commercial Buildings (E.C.P.S. 2004).
- 1.11. The design shall be carried out in accordance with the provisions of the Egyptian Code of Practice for Public Buildings (E.C.P.S. 2004).
- 1.12. The design shall be carried out in accordance with the provisions of the Egyptian Code of Practice for Special Buildings (E.C.P.S. 2004).
- 1.13. The design shall be carried out in accordance with the provisions of the Egyptian Code of Practice for Bridges (E.C.P.S. 2004).
- 1.14. The design shall be carried out in accordance with the provisions of the Egyptian Code of Practice for Dams (E.C.P.S. 2004).
- 1.15. The design shall be carried out in accordance with the provisions of the Egyptian Code of Practice for Waterways (E.C.P.S. 2004).
- 1.16. The design shall be carried out in accordance with the provisions of the Egyptian Code of Practice for Ports (E.C.P.S. 2004).
- 1.17. The design shall be carried out in accordance with the provisions of the Egyptian Code of Practice for Harbors (E.C.P.S. 2004).
- 1.18. The design shall be carried out in accordance with the provisions of the Egyptian Code of Practice for Airports (E.C.P.S. 2004).
- 1.19. The design shall be carried out in accordance with the provisions of the Egyptian Code of Practice for Seaports (E.C.P.S. 2004).
- 1.20. The design shall be carried out in accordance with the provisions of the Egyptian Code of Practice for Pipelines (E.C.P.S. 2004).
- 1.21. The design shall be carried out in accordance with the provisions of the Egyptian Code of Practice for Tunnels (E.C.P.S. 2004).
- 1.22. The design shall be carried out in accordance with the provisions of the Egyptian Code of Practice for Docks (E.C.P.S. 2004).
- 1.23. The design shall be carried out in accordance with the provisions of the Egyptian Code of Practice for Wharves (E.C.P.S. 2004).
- 1.24. The design shall be carried out in accordance with the provisions of the Egyptian Code of Practice for Quays (E.C.P.S. 2004).
- 1.25. The design shall be carried out in accordance with the provisions of the Egyptian Code of Practice for Piers (E.C.P.S. 2004).
- 1.26. The design shall be carried out in accordance with the provisions of the Egyptian Code of Practice for Breakwaters (E.C.P.S. 2004).
- 1.27. The design shall be carried out in accordance with the provisions of the Egyptian Code of Practice for Artificial Islands (E.C.P.S. 2004).
- 1.28. The design shall be carried out in accordance with the provisions of the Egyptian Code of Practice for Offshore Structures (E.C.P.S. 2004).
- 1.29. The design shall be carried out in accordance with the provisions of the Egyptian Code of Practice for Marine Structures (E.C.P.S. 2004).
- 1.30. The design shall be carried out in accordance with the provisions of the Egyptian Code of Practice for Coastal Structures (E.C.P.S. 2004).
- 1.31. The design shall be carried out in accordance with the provisions of the Egyptian Code of Practice for Marine Structures (E.C.P.S. 2004).
- 1.32. The design shall be carried out in accordance with the provisions of the Egyptian Code of Practice for Marine Structures (E.C.P.S. 2004).
- 1.33. The design shall be carried out in accordance with the provisions of the Egyptian Code of Practice for Marine Structures (E.C.P.S. 2004).
- 1.34. The design shall be carried out in accordance with the provisions of the Egyptian Code of Practice for Marine Structures (E.C.P.S. 2004).
- 1.35. The design shall be carried out in accordance with the provisions of the Egyptian Code of Practice for Marine Structures (E.C.P.S. 2004).
- 1.36. The design shall be carried out in accordance with the provisions of the Egyptian Code of Practice for Marine Structures (E.C.P.S. 2004).
- 1.37. The design shall be carried out in accordance with the provisions of the Egyptian Code of Practice for Marine Structures (E.C.P.S. 2004).
- 1.38. The design shall be carried out in accordance with the provisions of the Egyptian Code of Practice for Marine Structures (E.C.P.S. 2004).
- 1.39. The design shall be carried out in accordance with the provisions of the Egyptian Code of Practice for Marine Structures (E.C.P.S. 2004).
- 1.40. The design shall be carried out in accordance with the provisions of the Egyptian Code of Practice for Marine Structures (E.C.P.S. 2004).



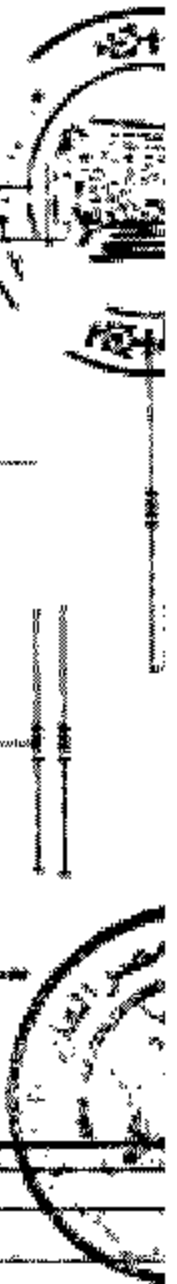
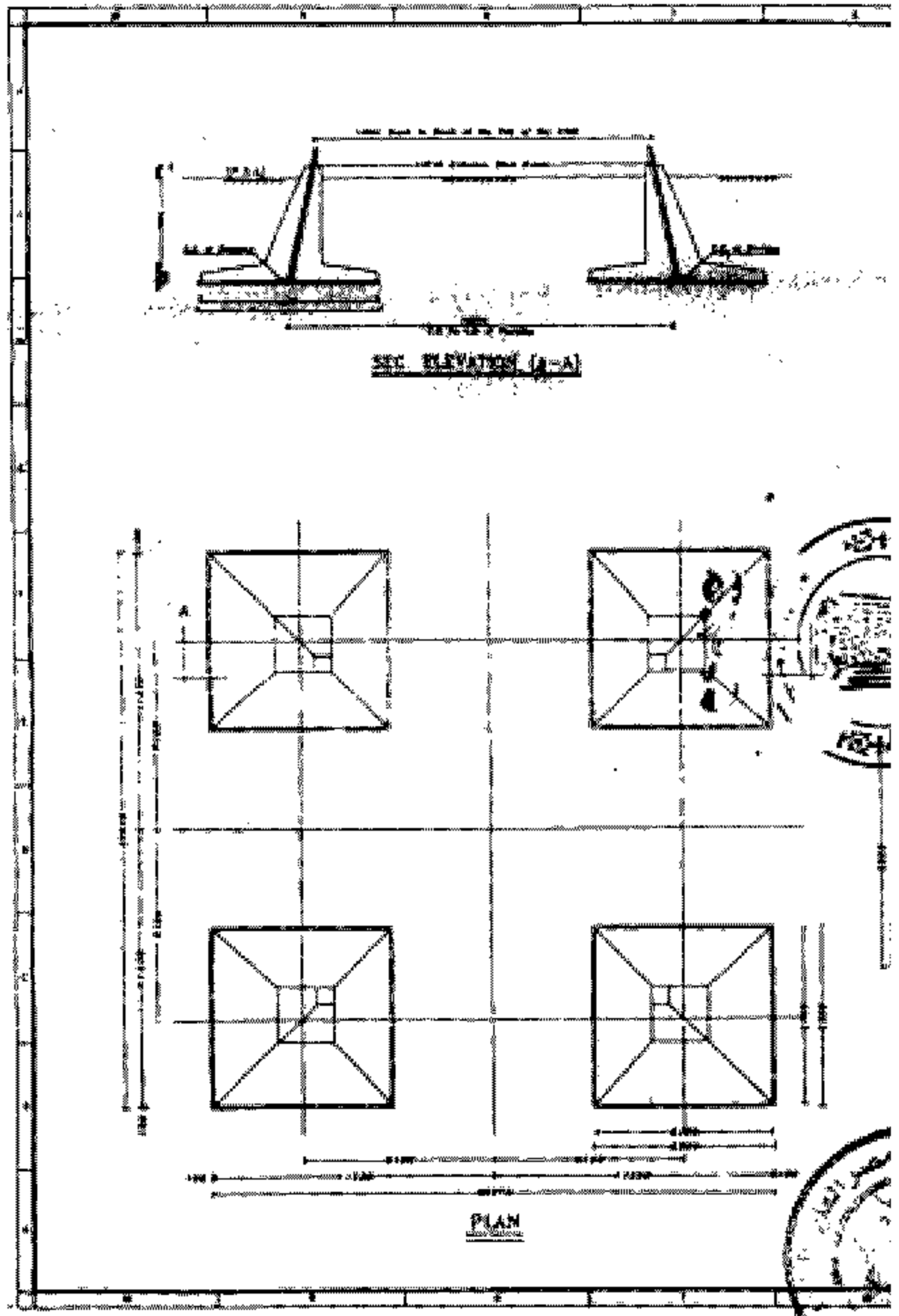
ELECTRIC POWER SYSTEMS ENGINEERING COMPANY		
E.P.S.C EGYPTIAN ELECTRICITY TRANSMISSION CO.		
FOUNDATION DETAILS FOR TOWER TYPES ATTOUR (2004)		
SHEET NO.	SHEET NO.	SHEET NO.
FILE NO.	FILE NO.	FILE NO.



٥١٨٤٢٢٧٥٨ P.02

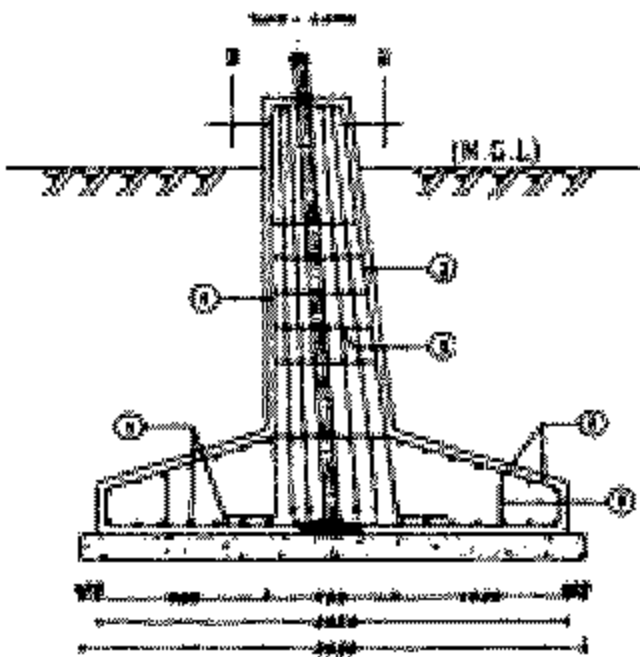
٥٦٤٨٠

٥١٨٤٢٢٧٥٨ ١٥:٥٧





SEC. B - B



REINFORCEMENT DETAIL FOR FOOTING

NO.	REVISION	DATE	BY	CHKD.
1	ISSUED	15/03/2018	...	...

NO.	REVISION	DATE	BY	CHKD.
2	...	...	...	...
3	...	...	...	...
4	...	...	...	...
5	...	...	...	...

- NOTES**
1. Reinforcement and layout as per drawings and specifications.
  2. Reinforcement bars to be as per specification and as shown on drawings.
  3. Reinforcement bars to be as per specification and as shown on drawings.
  4. Reinforcement bars to be as per specification and as shown on drawings.
  5. Reinforcement bars to be as per specification and as shown on drawings.
  6. Reinforcement bars to be as per specification and as shown on drawings.
  7. Reinforcement bars to be as per specification and as shown on drawings.
  8. Reinforcement bars to be as per specification and as shown on drawings.
  9. Reinforcement bars to be as per specification and as shown on drawings.
  10. Reinforcement bars to be as per specification and as shown on drawings.
  11. Reinforcement bars to be as per specification and as shown on drawings.
  12. Reinforcement bars to be as per specification and as shown on drawings.
  13. Reinforcement bars to be as per specification and as shown on drawings.
  14. Reinforcement bars to be as per specification and as shown on drawings.
  15. Reinforcement bars to be as per specification and as shown on drawings.
  16. Reinforcement bars to be as per specification and as shown on drawings.
  17. Reinforcement bars to be as per specification and as shown on drawings.
  18. Reinforcement bars to be as per specification and as shown on drawings.
  19. Reinforcement bars to be as per specification and as shown on drawings.
  20. Reinforcement bars to be as per specification and as shown on drawings.
  21. Reinforcement bars to be as per specification and as shown on drawings.
  22. Reinforcement bars to be as per specification and as shown on drawings.
  23. Reinforcement bars to be as per specification and as shown on drawings.
  24. Reinforcement bars to be as per specification and as shown on drawings.
  25. Reinforcement bars to be as per specification and as shown on drawings.
  26. Reinforcement bars to be as per specification and as shown on drawings.
  27. Reinforcement bars to be as per specification and as shown on drawings.
  28. Reinforcement bars to be as per specification and as shown on drawings.
  29. Reinforcement bars to be as per specification and as shown on drawings.
  30. Reinforcement bars to be as per specification and as shown on drawings.
  31. Reinforcement bars to be as per specification and as shown on drawings.
  32. Reinforcement bars to be as per specification and as shown on drawings.
  33. Reinforcement bars to be as per specification and as shown on drawings.
  34. Reinforcement bars to be as per specification and as shown on drawings.
  35. Reinforcement bars to be as per specification and as shown on drawings.
  36. Reinforcement bars to be as per specification and as shown on drawings.
  37. Reinforcement bars to be as per specification and as shown on drawings.
  38. Reinforcement bars to be as per specification and as shown on drawings.
  39. Reinforcement bars to be as per specification and as shown on drawings.
  40. Reinforcement bars to be as per specification and as shown on drawings.
  41. Reinforcement bars to be as per specification and as shown on drawings.
  42. Reinforcement bars to be as per specification and as shown on drawings.
  43. Reinforcement bars to be as per specification and as shown on drawings.
  44. Reinforcement bars to be as per specification and as shown on drawings.
  45. Reinforcement bars to be as per specification and as shown on drawings.
  46. Reinforcement bars to be as per specification and as shown on drawings.
  47. Reinforcement bars to be as per specification and as shown on drawings.
  48. Reinforcement bars to be as per specification and as shown on drawings.
  49. Reinforcement bars to be as per specification and as shown on drawings.
  50. Reinforcement bars to be as per specification and as shown on drawings.

مذكرة: إن جميع الأبعاد في هذا الرسم هي أبعاد خارجية ما لم يذكر خلاف ذلك.

NO.	REVISION	DATE	BY	CHKD.
1	ISSUED	15/03/2018	...	...

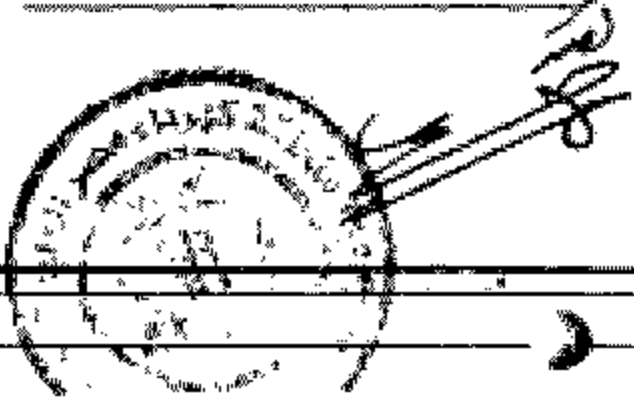
**ELECTRIC POWER SYSTEMS ENGINEERING COMPANY**



E.P.S.C  
EGYPTIAN ELECTRICITY TRANSMISSION CO.  
شركة الكهرباء المصرية - نقل الطاقة  
معد: ١٥/٣/٢٠١٨

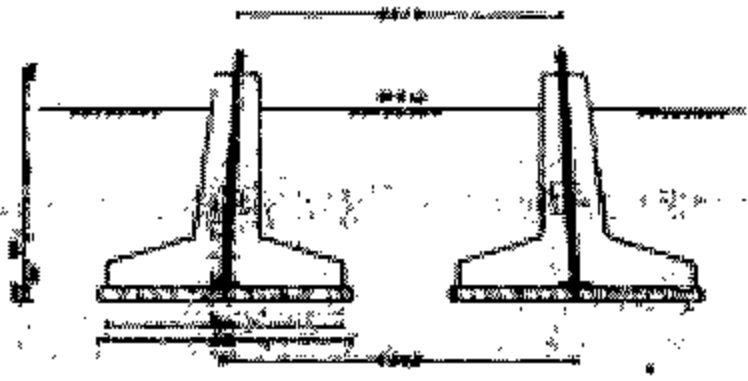
**FOUNDATION DETAILS FOR TOWER TYPES**

NO.	REVISION	DATE	BY	CHKD.
1	ISSUED	15/03/2018	...	...

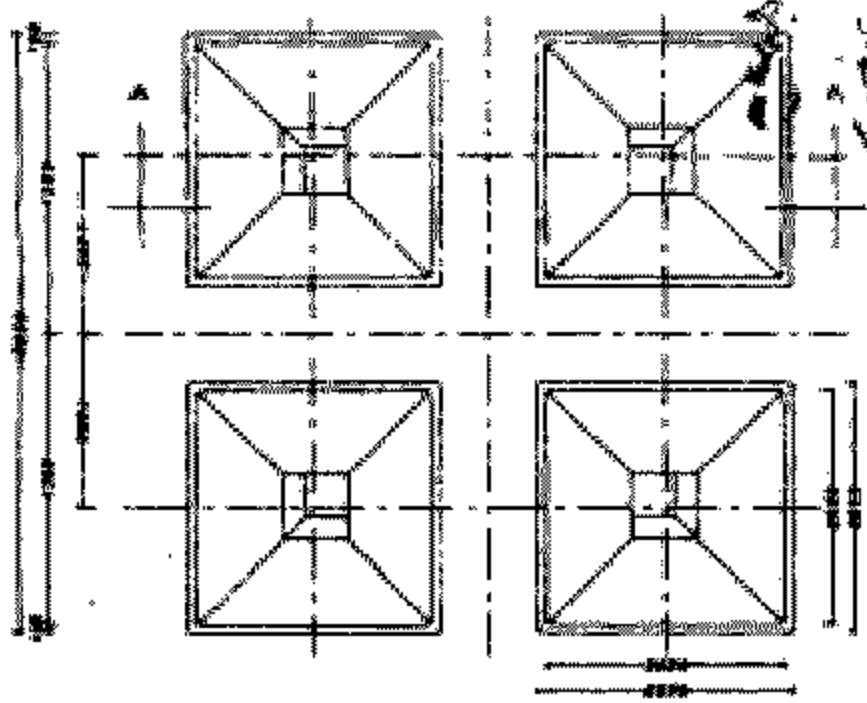




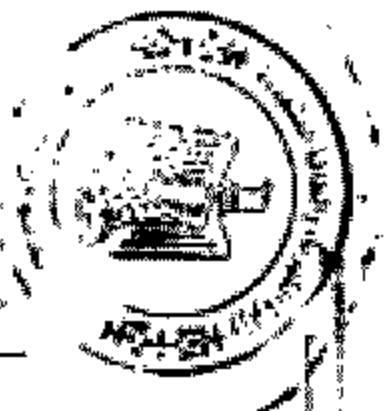
P.03  
0972294816



SEC. ELEVATION (A-A)



PLAN



ES/ENG

02-JAN-2018 15:08